



US 20080222836A1

(19) **United States**

(12) **Patent Application Publication**
Cunningham

(10) **Pub. No.: US 2008/0222836 A1**

(43) **Pub. Date: Sep. 18, 2008**

(54) **CENTRAL VACUUM CLEANING SYSTEM CONTROL SUBSYSTEMS**

Publication Classification

(75) Inventor: **J. Vern Cunningham, Aurora (CA)**

(51) **Int. Cl.**
A47L 5/38 (2006.01)

(52) **U.S. Cl.** **15/314; 15/319; 15/339**

Correspondence Address:
Ralph A. Dowell of DOWELL & DOWELL P.C.
2111 Eisenhower Ave, Suite 406
Alexandria, VA 22314 (US)

(57) **ABSTRACT**

A central vacuum cleaning system control subsystem for use in a central vacuum cleaning system having a motor includes a central vacuum unit control module with a receiver for wirelessly receiving command signals, and a power stage for controlling the motor in accordance with command signals received through the receiver. The control module is stable in high ambient temperature. Current flowing to the motor is sensed, and motor overcurrent and undercurrent conditions are determined. The control module determines when the motor is in an overcurrent condition. Power stage has a triac for controlling power to the motor. The control module also has a microprocessor that compares the current sensed against a normal operating current to determine overcurrent condition. Power to motor ceases when overcurrent condition exists. A generator is powered by air flow in a cleaning system for production of electrical energy.

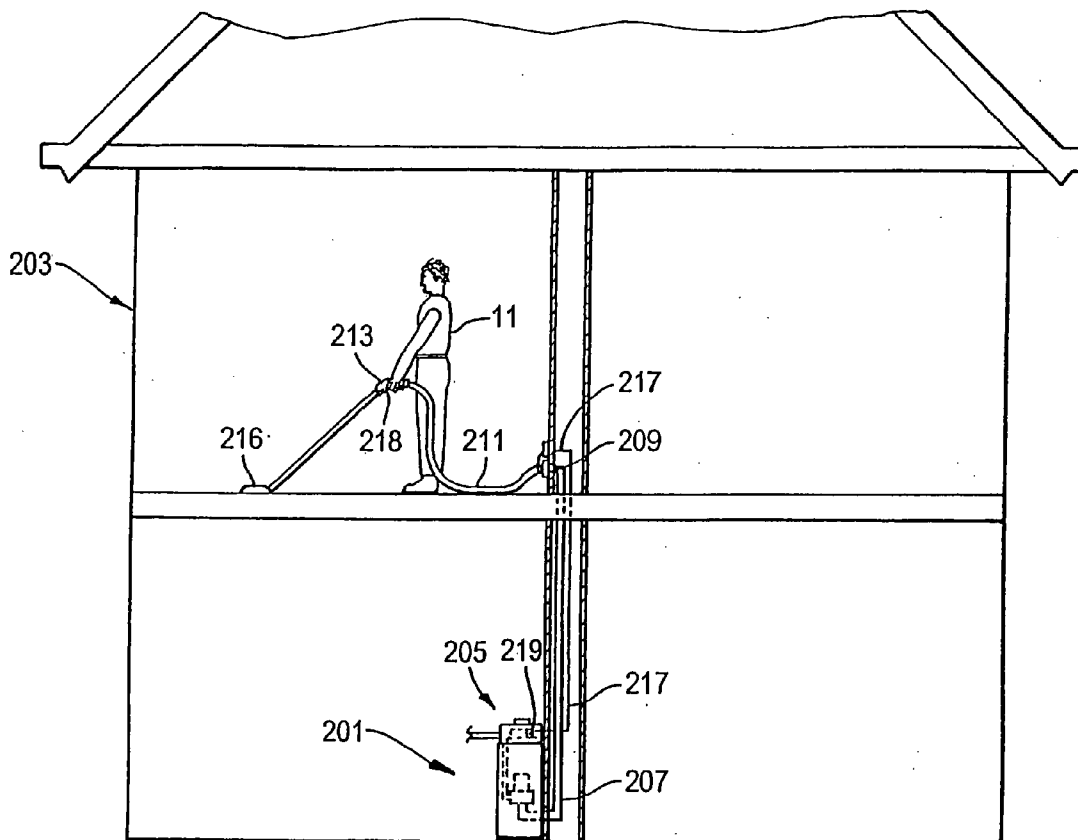
(73) Assignee: **CUBE INVESTMENTS LIMITED, Aurora (CA)**

(21) Appl. No.: **12/155,094**

(22) Filed: **May 29, 2008**

Related U.S. Application Data

(63) Continuation of application No. 10/936,699, filed on Sep. 9, 2004, now Pat. No. 7,403,360, which is a continuation-in-part of application No. 10/843,321, filed on May 12, 2004, now Pat. No. 6,856,113.



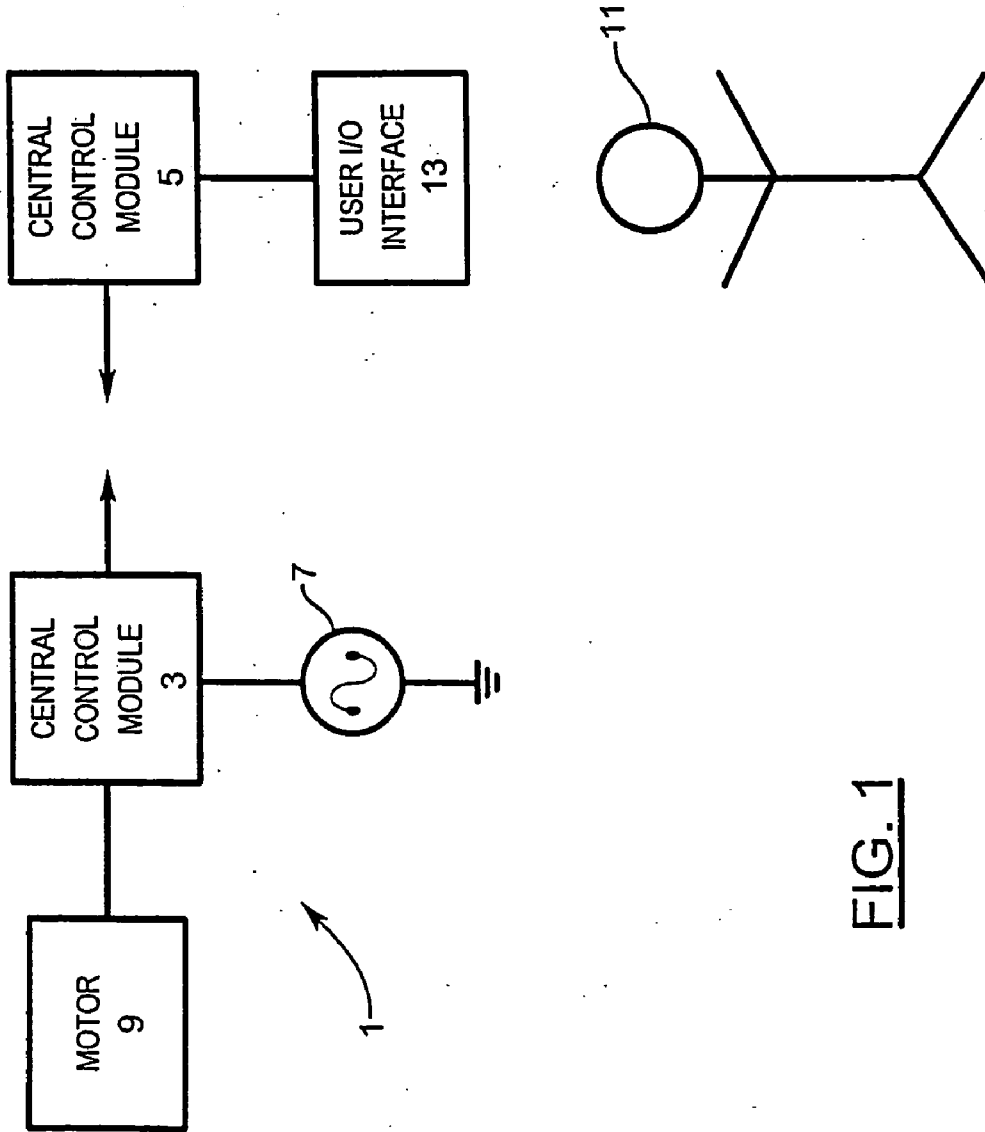


FIG. 1

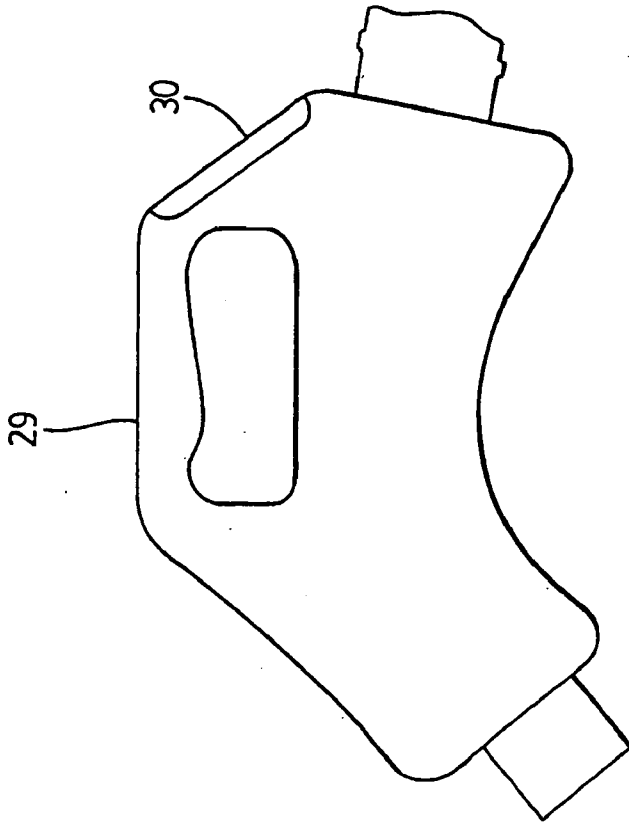


FIG. 3

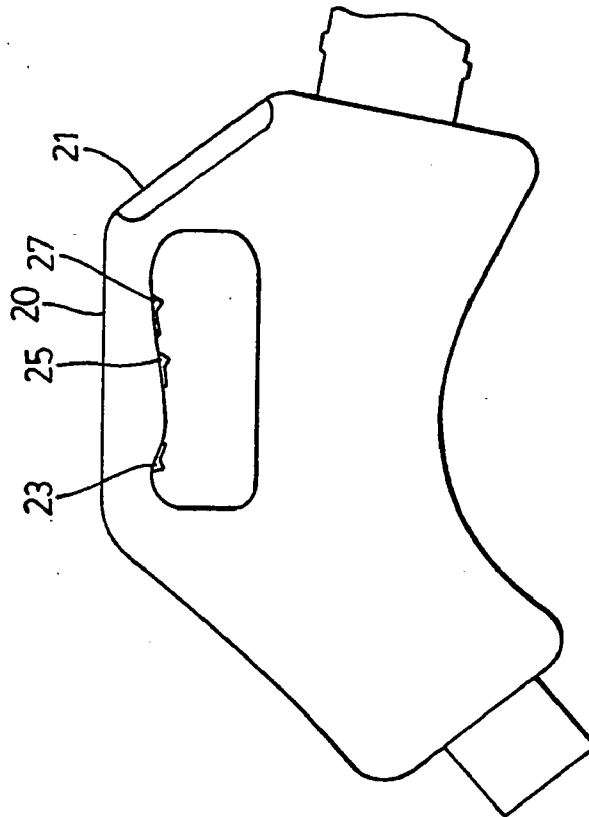


FIG. 2

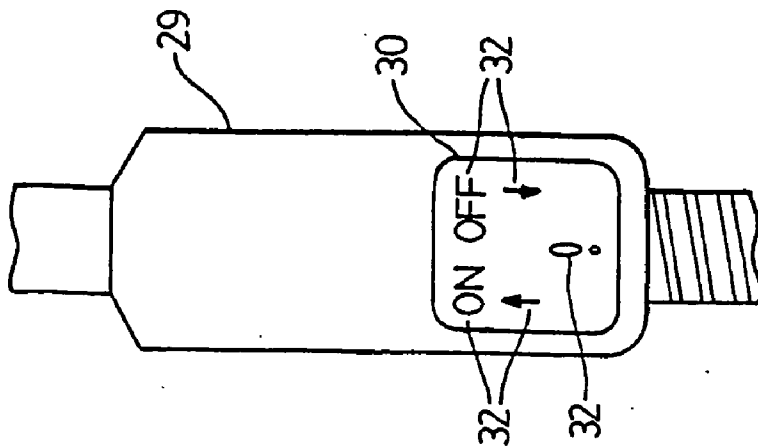


FIG. 4

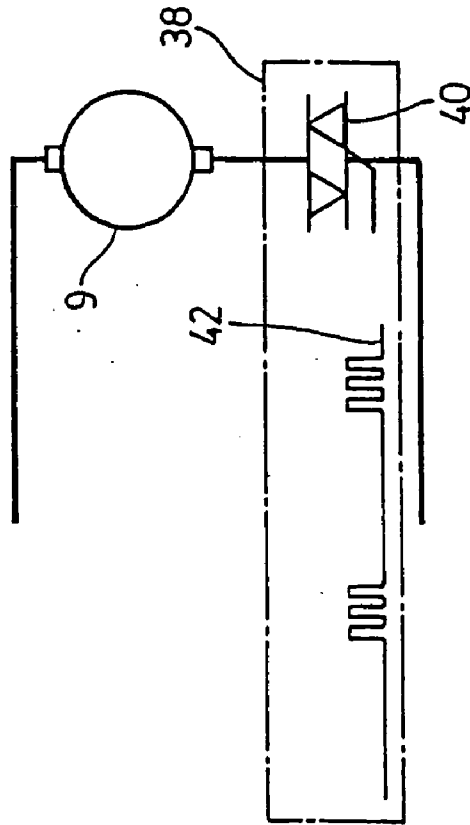


FIG. 5

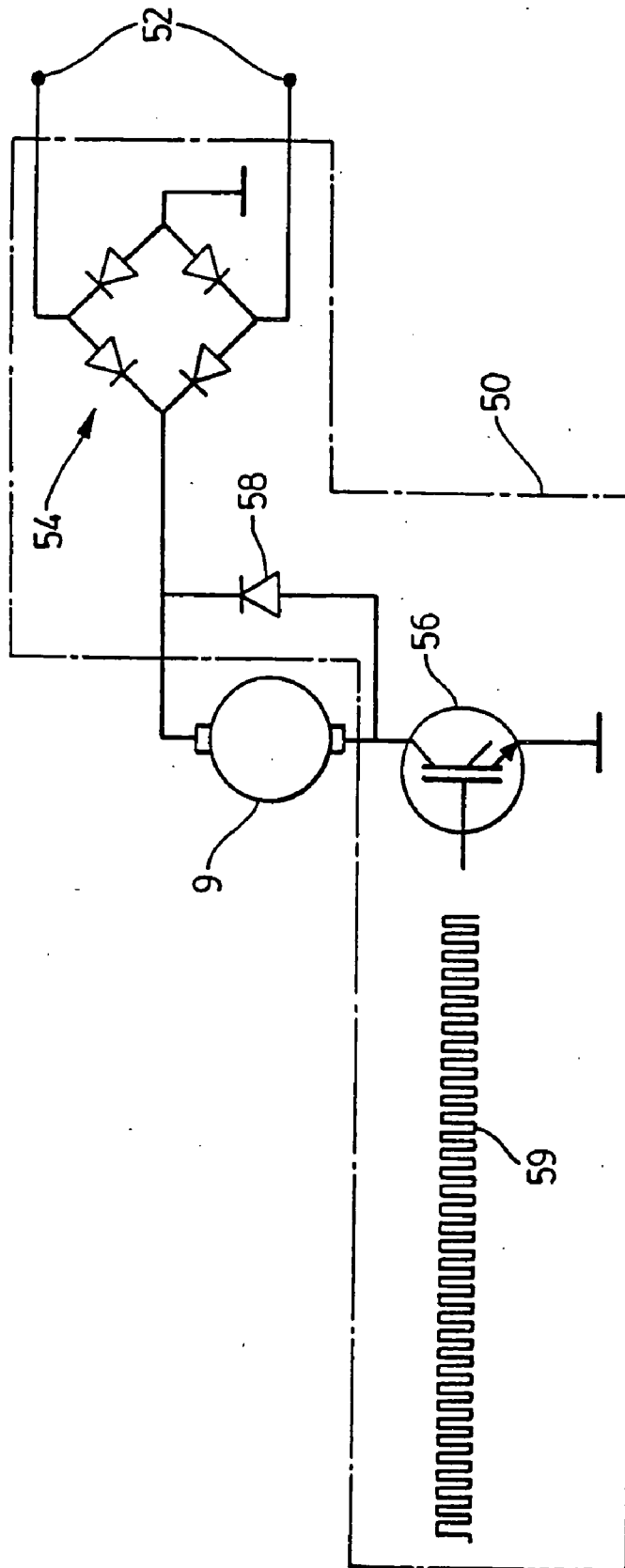


FIG. 6

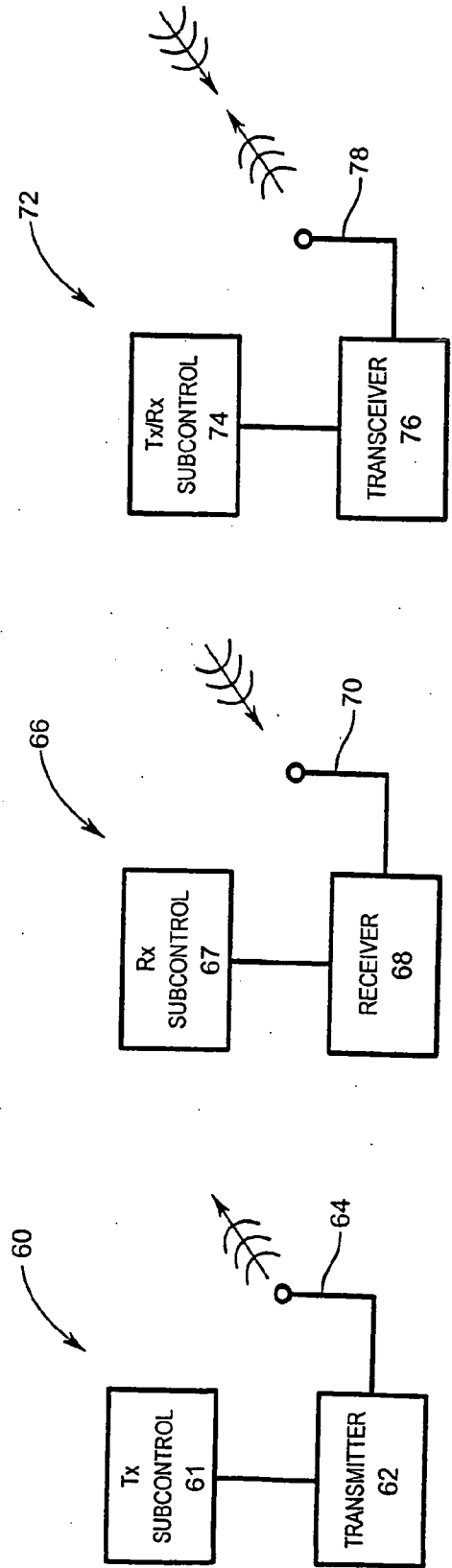


FIG. 7

FIG. 8

FIG. 9

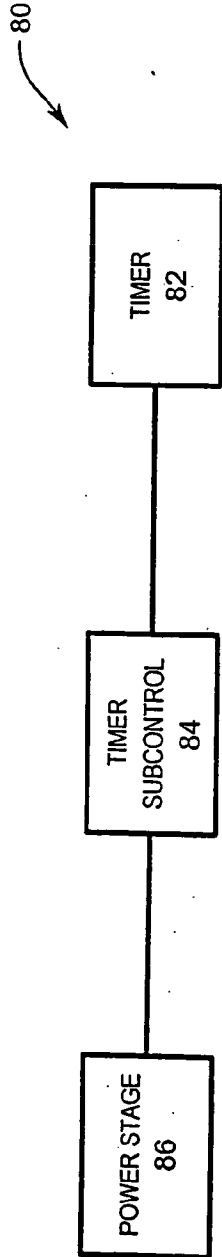


FIG. 10

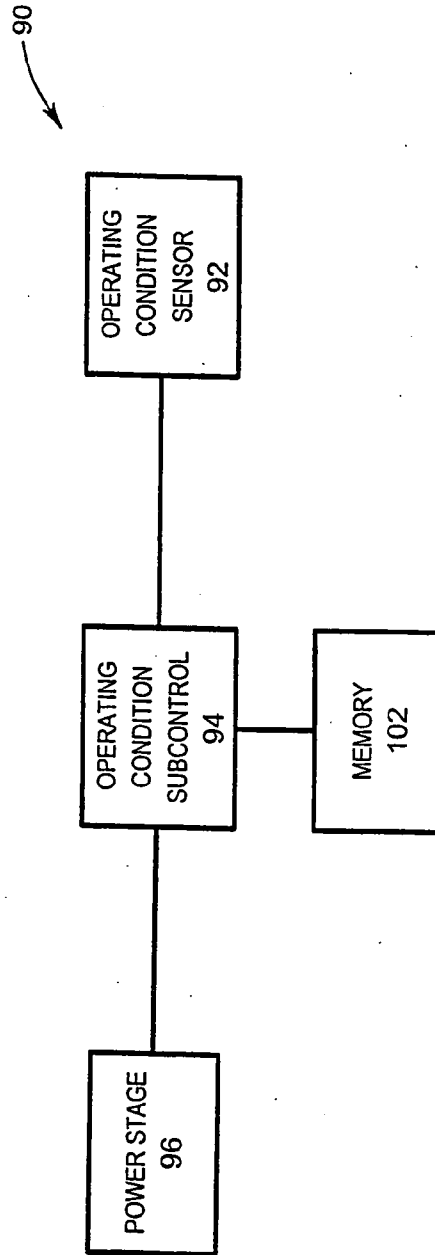


FIG. 11

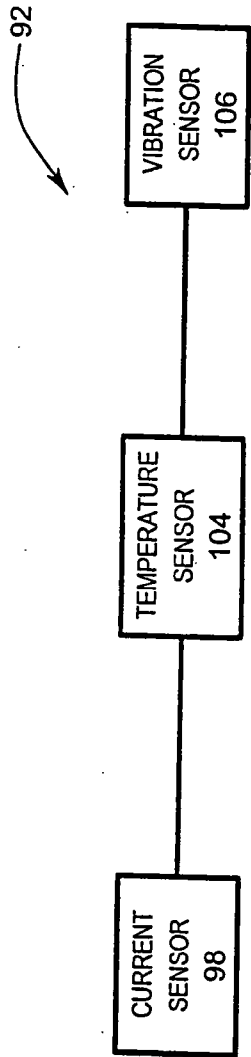


FIG. 12

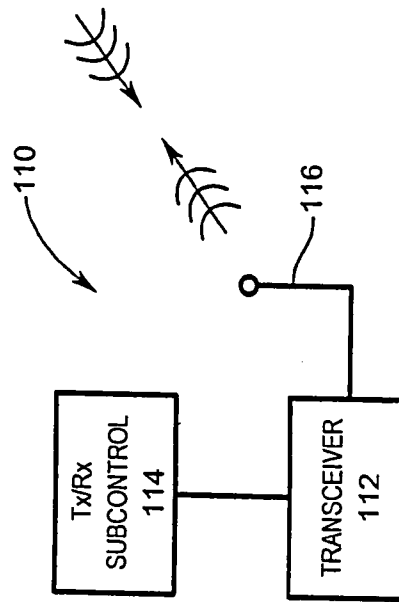


FIG. 13

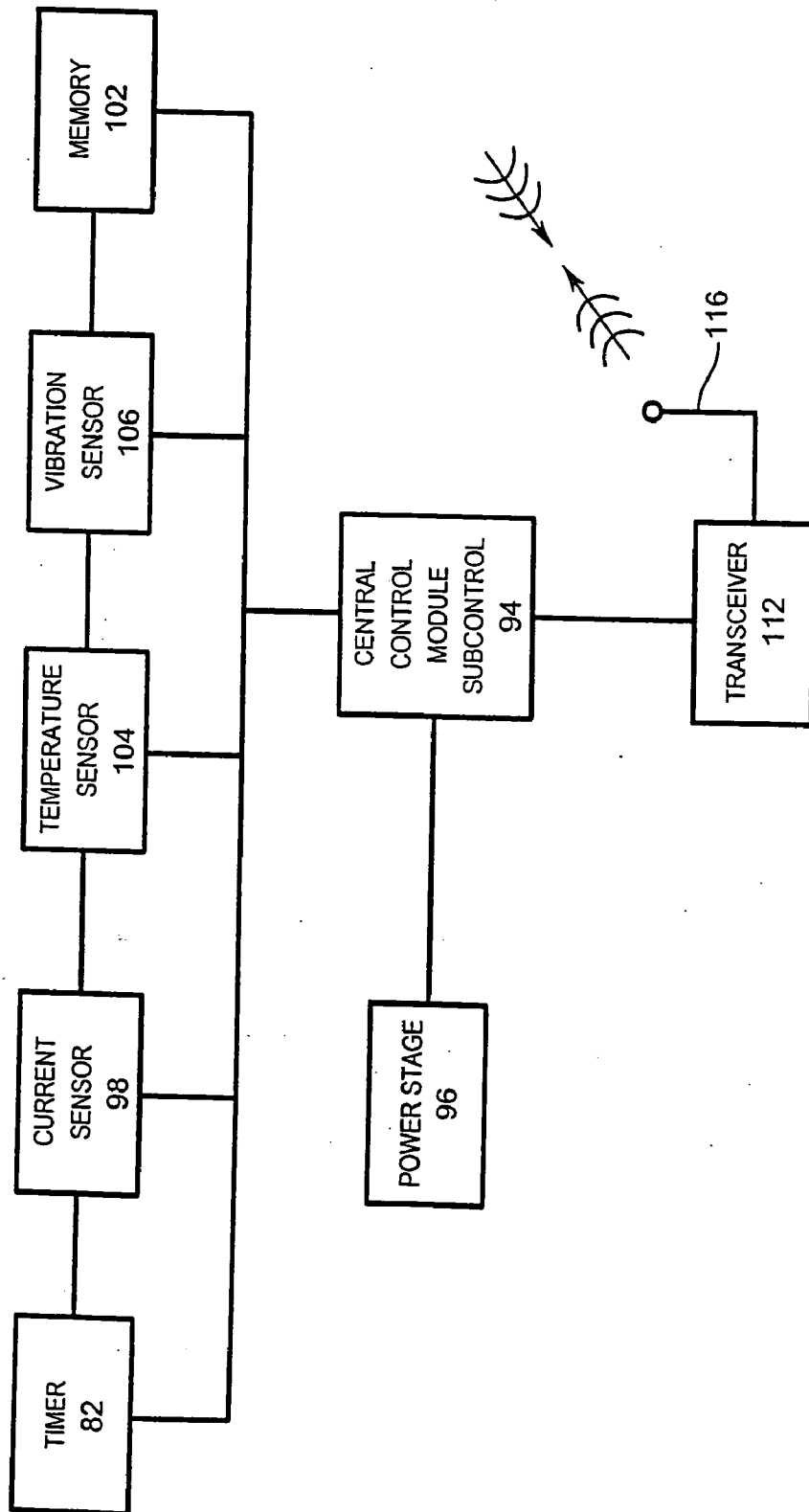


FIG. 14

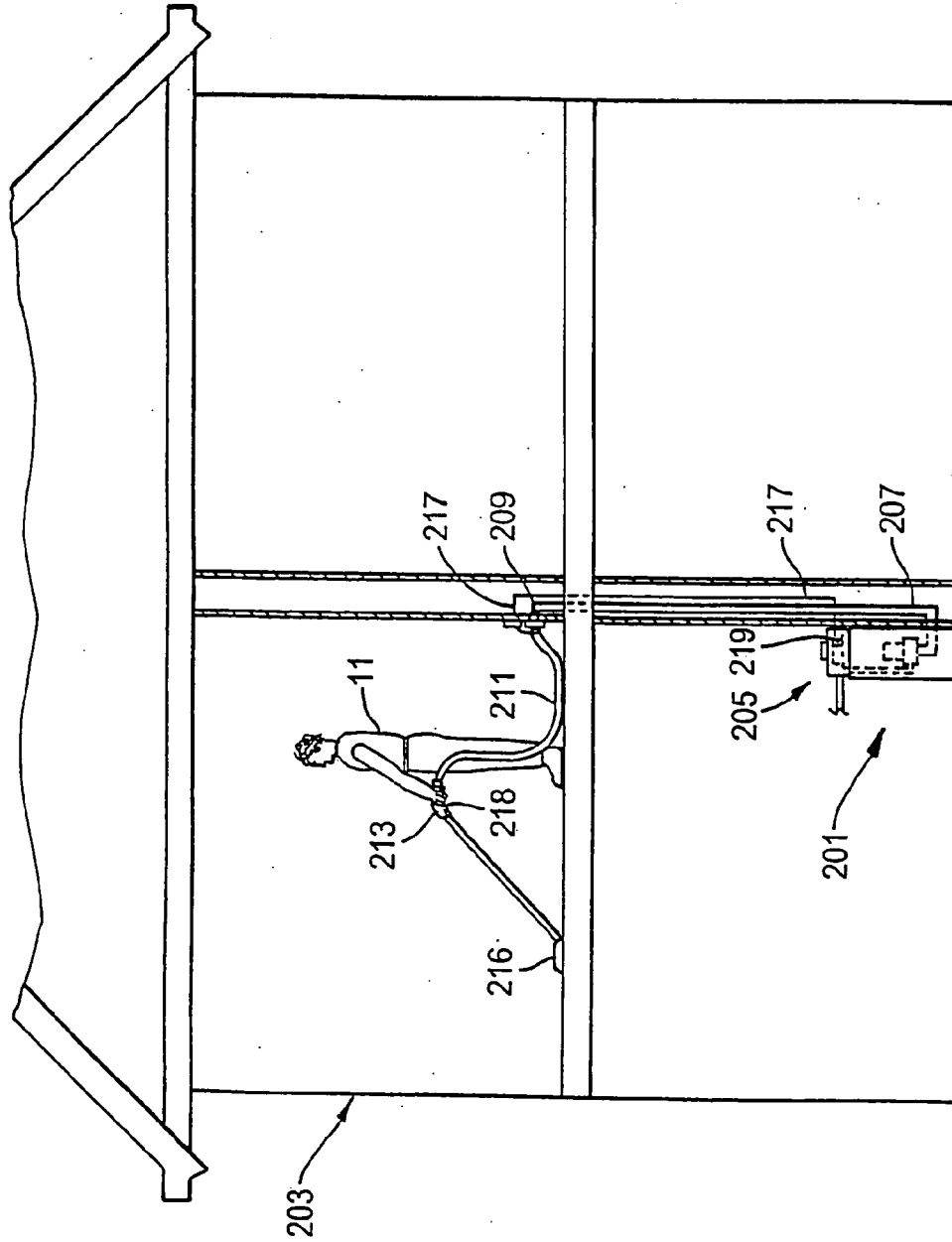


FIG. 15

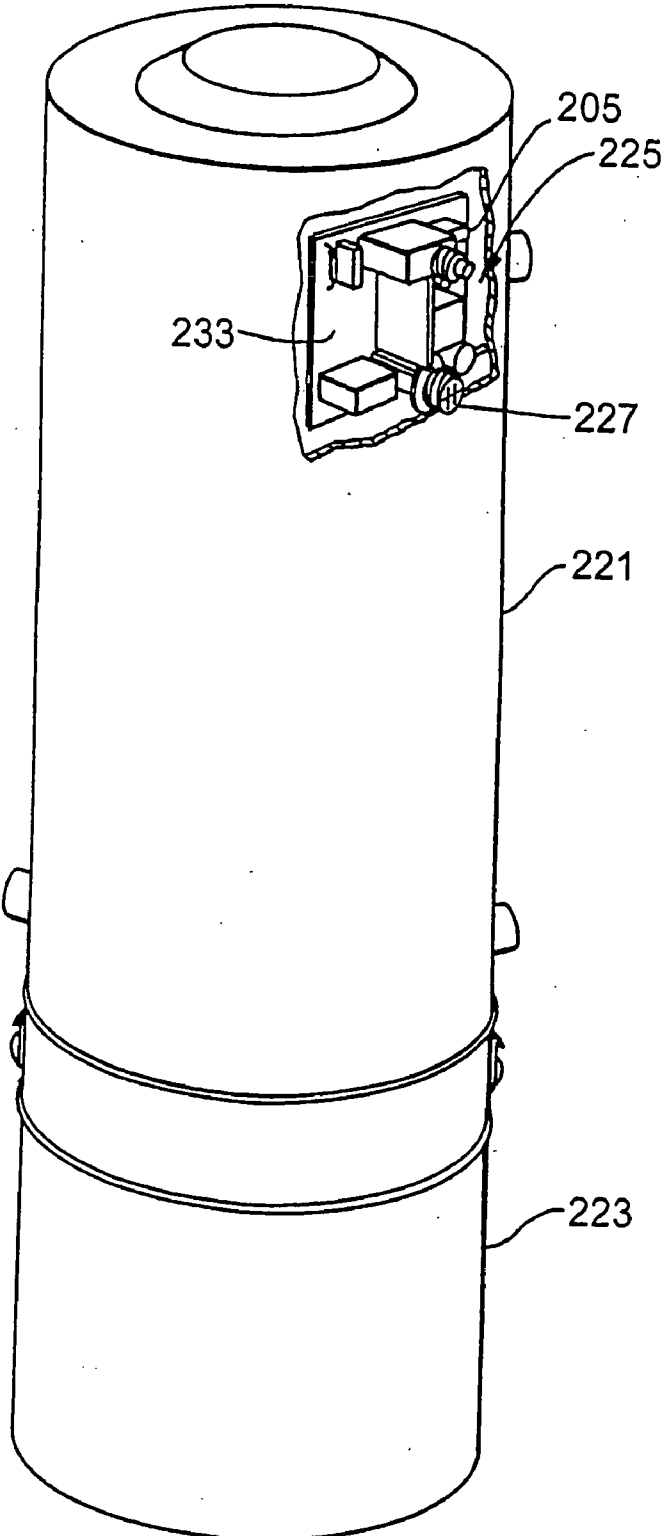
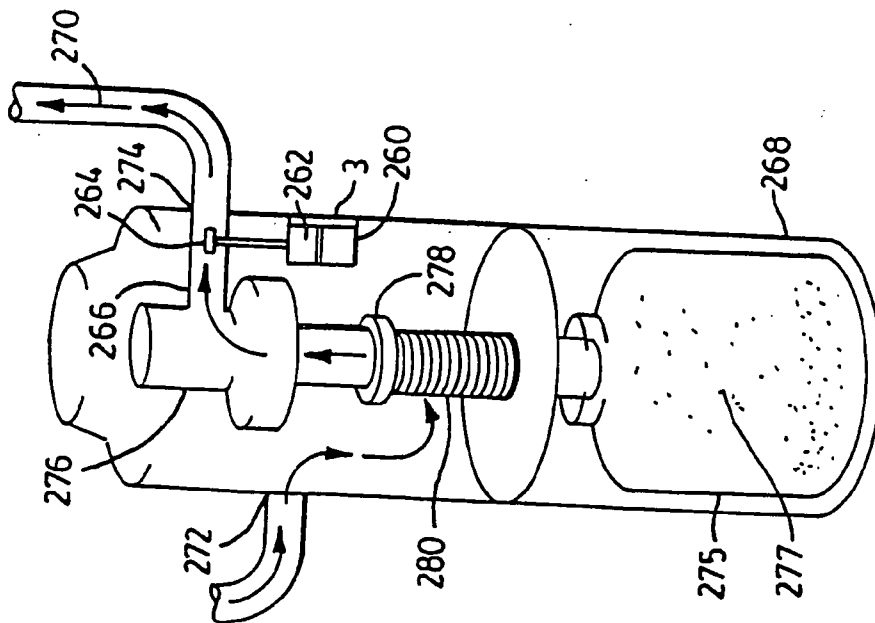
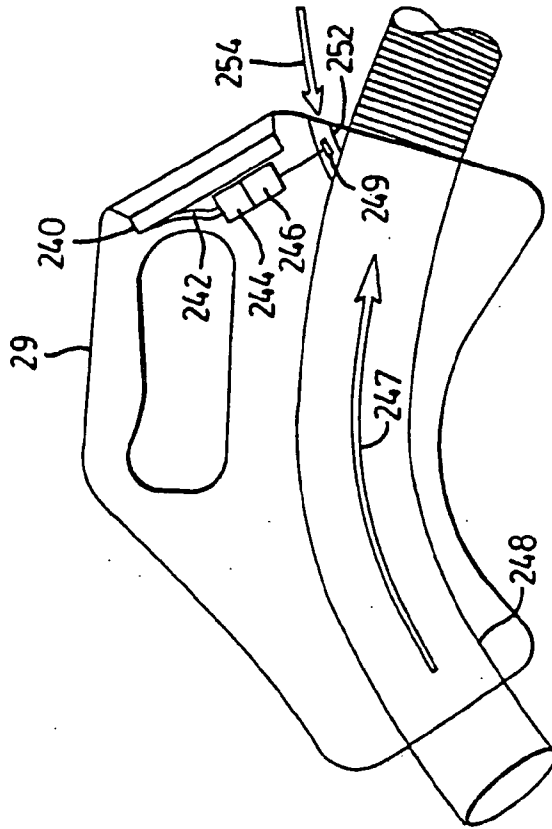


FIG. 16



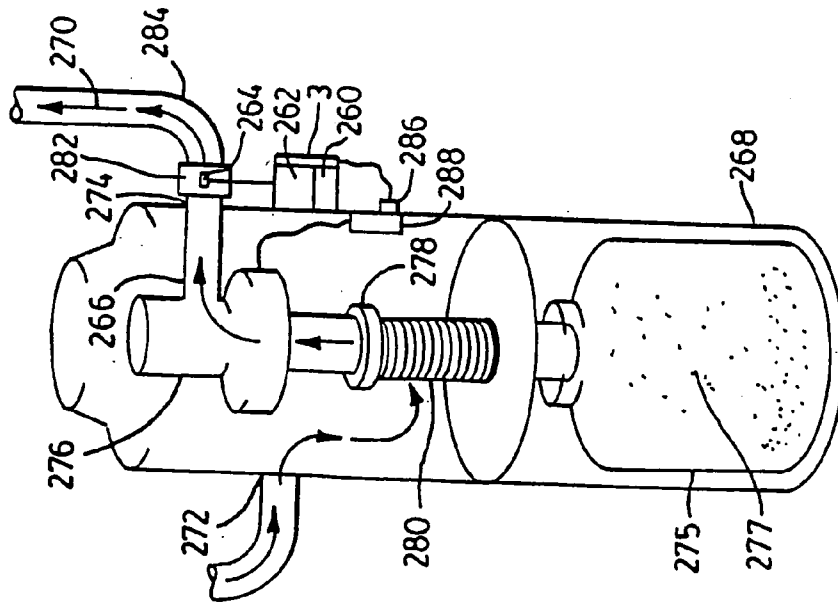


FIG. 19

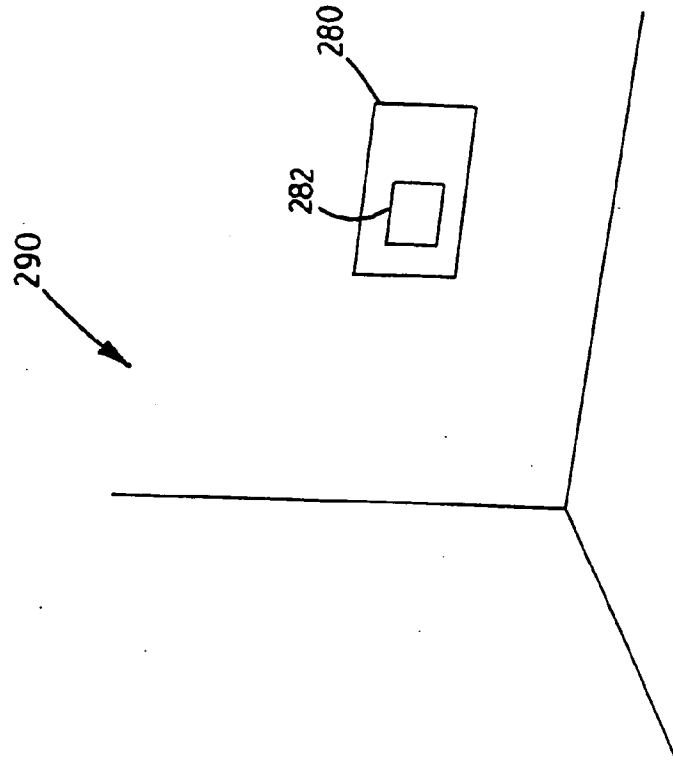


FIG. 20

CENTRAL VACUUM CLEANING SYSTEM CONTROL SUBSYSTEMS

CROSS-REFERENCE TO RELATED APPLICATIONS

[0001] This application is a continuation-in-part of co-pending U.S. patent application Ser. No. 10/843,321 filed 12 May 2004 under title Central Vacuum Cleaning System Motor Control Mounting Post, Mounting Configuration, and Mounting Methods, and claims priority from, and the benefit of, the filing date of the above application. The contents of the above application is hereby incorporated by reference into the Detailed Description hereof.

FIELD OF THE INVENTION

[0002] The invention relates to central vacuum cleaning systems. More particularly, it relates to control subsystems for central vacuum cleaning systems.

BACKGROUND OF THE INVENTION

[0003] Many modern buildings have central vacuum cleaning systems. These systems have a suction motor to create a vacuum in a series of pipes through the building. A user of the system connects a flexible hose to one of the pipes. The hose has a handle for the operator to grasp. The handle is further connected to one or more cleaning accessories.

[0004] The motor is housed in a motor housing that typically forms part of a central vacuum unit, often referred to as a "canister". The canister also has a receptacle portion for receiving dust and other particles picked up through the cleaning accessories and transported by the vacuum through the hose and pipes.

[0005] The canister is usually placed in a central location that is easily accessible for emptying the receptacle. The motor is typically powered by line voltage that is controlled by a motor control circuit in the motor housing.

[0006] Low voltage wires typically run beside, or form part of, the pipes and hose between the canister and the handle. This permits the operator to control the motor by sending low voltage signals from the handle to the motor control circuit. In order to receive the low voltage signals, an opening is provided in the motor housing through which the low voltage wires can be connected to the motor control circuit.

[0007] Installation of the low voltage wires can involve a great deal of effort, particularly when the system is being installed in an existing building. It is known to use a hand held radio frequency remote control to control a central vacuum unit. It is known to transmit control signals through existing power lines in a building. Add-on remote control units for turning on and off a central vacuum unit are also known.

[0008] Improvements to, or alternatives for, existing central vacuum cleaning systems and central vacuum cleaning system control subsystems are desirable.

SUMMARY OF THE INVENTION

[0009] In a first aspect the invention provides device for controlling a central vacuum cleaning system suction motor. The device has a sensor for sensing at least one operating condition of the motor, such as at least one operating condition including the motor current. It also has a comparator for comparing each sensed operating condition to a corresponding normal operating condition for that sensed operating condition of the motor, and for determining when the motor is

operating significantly outside at least one normal operating condition for the motor for a given period of time. It also has a performer for, when it is determined that the motor current is operating significantly outside the normal operating condition for the motor current, performing at least one action.

[0010] In a second aspect the invention provides a central vacuum cleaning system control subsystem for use in a central vacuum cleaning system having a motor. The control subsystem includes a central vacuum unit control module. The module has a receiver for wirelessly receiving command signals, and a power stage for controlling power to the motor. The power stage controls power to the motor in accordance with command signals it receives through the receiver. The control module does not contain overcurrent protection for components in the control module, where such overcurrent protection is triggered in part by high ambient temperature.

[0011] In a third aspect the invention provides a central vacuum cleaning system control subsystem for use in a central vacuum cleaning system having a motor. The control subsystem includes a central vacuum unit control module. The module has a receiver for wirelessly receiving command signals, and a power stage for controlling power to the motor. The power stage controls power to the motor in accordance with command signals it receives through the receiver. The control module senses current flowing to the motor, and determines when the motor is in an undercurrent condition.

[0012] In a fourth aspect the invention provides a central vacuum cleaning system control subsystem for use in a central vacuum cleaning system having a motor. The control subsystem includes a central vacuum unit control module. The module has a receiver for wirelessly receiving command signals, a power stage for controlling power to the motor, and a current sensor for sensing current flowing to the motor. The power stage controls power to the motor in accordance with command signals it receives through the receiver. The control module determines when the motor is in an overcurrent condition.

[0013] The power stage may also have a triac for controlling power to the motor. The control module may also have a microprocessor that compares the current sensed by the current sensor and a normal operating current to determine when an overcurrent condition exists. The control module may cease to provide power to the motor when the control module determines that an overcurrent condition exists.

[0014] In a further aspect the invention provides a device in a vacuum cleaning system. The device has an impeller, and a generator. The impeller is located such that air moving through the cleaning system during use causes the impeller to turn. Turning of the impeller causes the generator to generate electrical energy.

[0015] The device may be located in a hose handle of the vacuum cleaning system with the impeller located such that vacuum air moving through the hose handle during use causes the impeller to turn. The device may have an impeller air path in the handle. The impeller air path may open from a vacuum air path of vacuum air for picking up dust and other particles to a source of ambient air. The impeller would be located in the impeller air path.

[0016] The vacuum cleaning system may be a central vacuum cleaning system. The impeller may be located such that air moving through a central vacuum source of the central vacuum cleaning system during use causes the impeller to turn. The impeller may be located in an exhaust air path of the

vacuum source. The exhaust air path may be external to a canister that houses the vacuum source.

[0017] The electrical energy may be used to charge a battery.

[0018] In other aspects the invention provides methods of carrying out, components for, and systems using the other aspects of the invention as described above, and still further aspects based on the detailed description herein.

BRIEF DESCRIPTION OF THE DRAWINGS

[0019] For a better understanding of the present invention and to show more clearly how it may be carried into effect, reference will now be made, by way of example, to the accompanying drawings that show the preferred embodiment of the present invention and in which:

[0020] FIG. 1 is a schematic diagram of a central vacuum cleaning system control subsystem in accordance with the preferred embodiment of the present invention;

[0021] FIG. 2 is a side view of a central vacuum cleaning system hose handle for use with the subsystem of FIG. 1;

[0022] FIG. 3 is a side view of an alternate central vacuum cleaning system hose handle for use with the subsystem of FIG. 1;

[0023] FIG. 4 is a plan view of the handle of FIG. 3;

[0024] FIG. 5 is a schematic diagram of a power stage for use in the subsystem of FIG. 1;

[0025] FIG. 6 is a schematic diagram of an alternate power stage for use in the subsystem of FIG. 1;

[0026] FIG. 7 is a block diagram of a central transmitter submodule for use in the subsystem of FIG. 1;

[0027] FIG. 8 is a block diagram of a central receive submodule for use in the subsystem of FIG. 1;

[0028] FIG. 9 is a block diagram of a central transceiver submodule for use in the subsystem of FIG. 1;

[0029] FIG. 10 is a block diagram of a central timer submodule for use in the subsystem of FIG. 1;

[0030] FIG. 11 is a block diagram of a central operating condition submodule for use in the subsystem of FIG. 1;

[0031] FIG. 12 is a block diagram of a central operating condition sensors for use in the central operating condition submodule of FIG. 11;

[0032] FIG. 13 is a block diagram of a remote transceiver submodule for use in the subsystem of FIG. 1;

[0033] FIG. 14 is a detailed block diagram of a central control submodule for use in the subsystem of FIG. 1;

[0034] FIG. 15 is a side cross-section of a building incorporating a central vacuum cleaning system using an embodiment of the subsystem of FIG. 1;

[0035] FIG. 16 is a cut-away perspective view of a vacuum source for use in the cleaning system of FIG. 15 incorporating an embodiment of the subsystem of FIG. 15;

[0036] FIG. 17 is a cross-section of a hose handle utilizing a battery charging device in accordance with an embodiment of the present invention;

[0037] FIG. 18 is a cut-away partial perspective view of an alternate vacuum source for use in the cleaning system of FIG. 15 incorporating an embodiment of the subsystem of FIG. 15, including an air powered generator in accordance with an embodiment of the present invention;

[0038] FIG. 19 is a cut-away partial perspective view of an alternate vacuum source for use in the cleaning system of FIG. 15 incorporating an embodiment of the subsystem of FIG. 15, including an air powered generator in accordance with an alternate embodiment of the present invention; and

[0039] FIG. 20 is a perspective of a portion of a building incorporating remote station in accordance with an accordance with an embodiment of the present invention.

DETAILED DESCRIPTION OF THE PREFERRED EMBODIMENT

[0040] Referring to FIG. 1, a central vacuum cleaning system control subsystem 1 has a central control module 3 and a remote control module 5.

[0041] The central control module 3 controls power from a power source 7 to a motor 9, and by doing so the central control module 3 controls the operation of the motor 9. The power source 7 is typically line voltage, for example, 120V or 240V, 60 Hz AC in North America or 230V, 50 Hz AC in Europe.

[0042] The remote control module 5 is connected to a user input/output interface 13. The remote control module 5 receives input from a user 11 through the interface 13. User input may be as simple as a request for a change of state of the motor 9 where the interface 13 would be a toggle switch 13.

[0043] The remote control module 5 is a wireless transmitter. It encodes the input received from the user for wireless transmission to the central control module 3 as indicated by the arcs 15. The central control module 3 is a wireless receiver. It receives the wireless transmission from the remote control module 5, decodes it and controls the motor 9 accordingly. For example, if the user requests the motor 9 to change state then if the central control module 3 is providing power from the source 7 to the motor 9 then the central control module 3 will cease doing so. If the central control module 3 is not providing power from the source 7 to the motor 9 then it will provide power.

[0044] The central control module 3 is also a wireless transmitter. The central control module 3 senses the operating condition of the motor 9, encodes a message related to the condition and wirelessly transmits the message to the remote control module 5 as indicated by the arcs 17. The message is received by the remote control module 5, decoded, and provided to the user through the interface 13.

[0045] Referring to FIG. 2, a hose handle 20 incorporates the interface 13 as a display means 21 and switch 23. A toggle switch 23 is shown in the FIGS.; however, various types of switches, such as for example a momentary switch, not shown, could be used. The display means 21 may take the form of one or more lights, such as LEDs and/or an LCD screen with icons. Alternatively, or in addition, the display means may have a speaker or buzzer to provide sound output to the user by way of voice or an alarm. A transducer may be used to create sounds. This provides bi-directional communication between the central control module 3 and the remote control module 5, and thereby provides bidirectional communication between the user 11 and the motor 9 as will be discussed further herein.

[0046] In a preferred embodiment, the central control module 3 is able to provide more complex control of the motor 9 beyond simply turning it on and off. For example, the central control module 3 may be able to adjust the speed at which the motor 9 operates. There are many different techniques for adjusting motor 9 speed, some of which are dependent on the type of motor 9.

[0047] For example, existing central vacuum cleaning systems typically use a universal motor 9. The speed of a universal motor 9 can be controlled by reducing the voltage applied to the motor 9. DC motors 9 have also been described for use

as vacuum motors **9**, see for example, co-pending PCT Patent Application No. PCT/CA03/00382 filed 12 Mar. 2003, published 18 Sep. 2003 as WO03075733A1, and claiming the benefit of U.S. Provisional Patent Application No. 60/363,351 filed 12 Mar. 2002. The content of the above applications is hereby incorporated by reference into the Detailed Description hereof. The speed of a DC motor **9** can be adjusted by adjusting the voltage for a series wound motor **9**, or by controlling the excitation on the armature of a shunt wound motor **9**.

[0048] Where the central control module **3** has the ability to control motor **9** speed then it may be desirable to provide for a “soft start”. This can be done by starting the motor **9** at a slower desired speed and working up to a higher speed. This can increase the longevity of the motor **9**, particularly for universal motors **9** where starting can result in a high inrush current that has a cumulative detrimental effect on motor **9** windings over time. Soft start control can be configured as an internal setting of the central control module **3** without requiring external user input.

[0049] The user **11** can be permitted to adjust the speed of the motor **9** on demand by requesting such an adjustment through the user input/output interface **13**. This can be done by providing additional user inputs at the interface **13**, for example more switches **25**, **27**, or it may be more effectively done by interpreting the signals from the user **11** through a lesser number of inputs, for example switch **23** only. For example, the switch **23** can be actuated to signal a particular request. A series of switch **23** actuations may signal a request for a decrease motor **9** speed another series of switch **23** actuations may signal a request for an increase in motor **9** speed. Another signal would indicate on and another off.

[0050] An easier interface **13** for the user **11** would include two switches **23**, **25**. Repeated actuation of one switch **23** signals a request for an increase in speed, while repeated actuation of the other switch **25** signals a request for a decrease in speed. A single actuation of one switch **23** could indicate a request to turn the motor **9** on, while a single actuation of the other switch **25** could indicate a request to turn the motor **9** off. For example, each request for a decrease in speed could result in a 10% reduction to a maximum of a 50% reduction. Rather than incrementally increasing speed, the user could be required to request the motor **9** to be turned off and then on through the interface **13**. This could reset the speed to 100%.

[0051] More switches or input devices, not shown, could be added as desired. Referring to FIGS. **3** and **4**, an alternative interface **13** might be a touch screen **30** that could incorporate both a display and input device. The touch screen could display various icons or text representing messages from the central control module **3** regarding the operating condition of the motor **9**. Icons or text could also be provided to allow the user **11** to send messages to the central control module **3** by touching the icons or text.

[0052] Many power stages can be used to decrease (and to increase) the voltage to the motor **9**. Referring to FIG. **5**, the preferred embodiment of a power stage **38** (shown in dashed lines) is to use a solid-state controller, such as a triac **40**. A triac **40** can be easily controlled using other solid-state components such as, for example, a microprocessor or a microcontroller, not shown in FIG. **5**, but an example will be later described. The triac **40** can be driven by a gate signal **42** (for example, from the microprocessor or microcontroller) that is phase shifted depending on the effective voltage desired. This

is known as a phase-angle drive. At a minimum it requires only a gate driving signal **42** and a single additional component: the triac **40**.

[0053] In this description the term “solid-state” will be used to describe components that have no moving parts. Solid-state components can be integrated circuits, such as microprocessor, or discrete components such as a single capacitor or resistor.

[0054] Referring to FIG. **6**, a more complex power stage **50** (shown in dashed lines) may be used to control the voltage from voltage source inputs **52** seen by the motor **9** using, for example, an input rectifier **54**, a power switch (transistor) **56** and a diode **58**. This uses a Pulse Width Modulation gate drive signal **59** to adjust the effective voltage seen by the motor **9** to be varied. This is known as a chopper drive. It is still a solid-state device without mechanical components, such as those mechanical components that are used in some relays and circuit breakers that are typically found in existing central vacuum units.

[0055] The central control module **3** also has a number of submodules that operate based on a variety of sensed conditions. Referring to FIG. **7**, central transmit submodule **60** has a transmit (Tx) subcontrol **61**, a wireless transmitter **62** and an antenna **64**. The Tx subcontrol **61** encodes messages to be transmitted wirelessly by transmitter **62** through the antenna **64**.

[0056] Referring to FIG. **8**, a central receive submodule **66** has a receiver (Rx) subcontrol **67**, wireless receiver **68** and an antenna **70**. The Rx subcontrol **67** decodes messages received by the receiver **68** through the antenna **70**. The antenna **64** and **70** may be one in the same component if desired, and designed for, by the designer in a manner that would be evident to those skilled in the art. If the

[0057] Referring to FIG. **9**, the central transmit submodule **60** and central receive submodule **66** may be replaced by a central transceiver submodule **72** having a transmit/receive (Tx/Rx) subcontrol **74**, a transceiver **76** and an antenna **78**. The submodule **72** encodes and decodes, transmits and receives messages through antenna **78** in a manner similar to the central transmit submodule **60** and the central receive submodule **66**, combined.

[0058] The wireless transceiver **76** combines a transmitter and receiver in a single component. Among other benefits, the use of an integrated transceiver **76** can reduce complexity, power consumption and size. Also, transceiver for unlicensed short distance communication typically utilize higher frequencies for less interference and more effective communication.

[0059] This description will be made primarily with reference to a central transceiver submodule, such as submodule **72**. It is to be understood that discrete transmit submodules, such as submodule **60**, and discrete receive submodules, such as submodule **66**, could be used as necessary for a particular application, if desired.

[0060] Referring to FIG. **10**, the central control module **3** has a timer submodule **80** with a timer **82**, a timer subcontrol **84** and a power stage **86**. The timer **82** commences timing on the instruction of the subcontrol **84** when the power stage **86** powers on the motor **9**. If the timer **82** times more than a predetermined amount of time then the timer subcontrol **84** instructs the power stage **86** to stop providing power to the motor **9**. For example, if the motor **9** has been running for 30 minutes then the timer submodule **80** shuts off the motor **9**. This safeguards against inadvertent operation of the motor **9**.

If a user **11** wishes to continue use then the user **11** simply activates the motor **9** through the interface **13**, and the timer submodule **80** starts timing again.

[0061] The timer submodule **80** is also connected to the central transceiver submodule **72** for transmission of messages to the remote control module **5**.

[0062] Referring to FIG. **11**, the central control module **3** has an operating condition submodule **90** with one or more operating condition sensors **92**, an operating condition subcontrol **94** and a power stage **96**. The operating condition **92** senses various operating conditions of the motor **9** under the control of the operating condition subcontrol **94**. According to the sensed operating conditions, the operating condition subcontrol **94** controls the power stage **96** by, for example, providing gate drive signals. The operating condition submodule **90** is also connected to the central transceiver submodule **72** for transmission of messages to the remote control module **5**.

[0063] Thus, the central control module **3** senses an operating condition of the motor **9**, compares it to a normal operating condition of the motor **9** (examples of which will be described), determines if the motor **9** is operating significantly outside a normal operating condition, and performs an action if the motor **9** is operating outside the normal operating condition. Examples of various sensors will be described herein; also, an example microprocessor embodiment for comparing, determining and performing will be described. An example of a performer for performing an action is the subcontrol **94** described above that controls the power stage **96** after determination. In this case, the subcontrol **94** carries out the comparison and determination, and performs the action. Other example performances of actions will be described herein.

[0064] Referring to FIG. **12**, one of the operating condition sensors **92** may be a current sensor **98** for sensing the motor **9** operating current. If there is an overcurrent condition then the central control module **3** will disconnect power from the motor **9** by having the operating condition subcontrol **94** instruct the power stage to stop providing power **96** to the motor **9**. Overcurrent might be determined by a current that is more than a given amount above the normal operating current of the motor **9**. In the preferred embodiment an overcurrent condition is a current of more than 100% above (twice) the normal operating current where such current is present for over 3 seconds. Such a condition is indicative of something jammed in an impeller or other suction creating device, not shown, attached to the motor **9**, and the motor **9** is working to overcome the obstruction. The actual thresholds used will depend on the particular specifications for the motor **9** used in any particular application. After an overcurrent condition occurs, it is best to require disconnection of a source of power from the central control module **3** before the motor **9** can be restarted. This is a safety feature. An overcurrent condition can require maintenance. If it occurs repeatedly then the user will likely make a call for service rather than repeatedly disconnect and re-connect the power source.

[0065] Referring to FIG. **11**, in order to provide specifications on which a threshold can be based the central control module **3** can have a non-volatile memory **102** in which the specifications can be stored. The specifications can be sensed during normal operating condition of the motor **9** and stored. Such condition may be represented by the current drawn by

the motor **9**. This can easily be sensed by the operating condition sensor **92** under control of the operating condition subcontrol **94**.

[0066] The normal operating condition of the motor **9** could also be input directly by the user **11** at the interface **13** and transmitted from the remote control module **5** for reception at the transceiver **72**, decoding by the transceiver subcontrol **74** and storage in memory **102**. The memory **102** is a rewriteable device such as, for example, an EEPROM, EPROM or flash memory device. Alternatively, the normal operating condition can be pre-configured in memory **102** by an installer, or at the time of manufacture. If the normal operating conditions are input at the time of manufacture or installation then a write once memory device, such as a PROM, could be used, if desired.

[0067] As the central control module **3** may be used with many different motors **9**, and the design specifications and operating environment of each motor **9** may change from time, it is preferable simply to allow the central control module **3** to sense automatically (i.e. without requiring data to be input by a user **11**, manufacturer or installer) the normal operating condition when the central control module **3** is installed.

[0068] The central control module **3** will need to be configured to ignore any inrush current each time the motor **9** is turned on if the inrush current would exceed the threshold amount and duration. A soft-start configuration as described previously can be used to reduce inrush current. The soft start can be implemented through motor **9** control using, for example, one of the power stages **38**, **50**.

[0069] The current sensor **98** may be a current sensing transformer, current sensing resistor or other similar or alternative device in line with, or integrated into, the power stage (for example, **38**, **50**) or elsewhere in the central control module **3**.

[0070] The central control module **3** operating condition submodule **90** can also sense an undercurrent condition of the motor **9**. This typically signifies a blockage in an air inlet to the motor **9**. Such a blockage stops air flow, resulting in free spinning of the motor **9** and a reduction in load on the motor **9**. If this condition persists for longer than a predetermined period then the central control module **3** can automatically disconnect power to the motor **9**. Also or alternatively, notice could be provided to the user **11**. As an example, the predetermined period could be set for approximately 15 minutes. The period should be long enough to allow the user to remove typical blockages, while not so long as to continue operation on an ongoing basis in an underperforming condition.

[0071] Referring again to FIG. **12**, the operating condition sensors **92** may also include a temperature sensor **104** that monitors the temperature around the motor **9**. An over temperature condition can be detected in comparison to normal operating temperature stored in memory **102**. The central control module **3** under control of the operating condition submodule **90** ceases to provide power to the motor **9** when an over temperature condition occurs. To again use the motor **9**, a source of power to the vacuum source **205** of FIGS. **15** and **16** must be disconnected (for example by unplugging the power to the vacuum source **205**) from the central control module **3** by the user **1**, and reconnected. Additionally, the overtemperature condition must have cleared. Again, this is a safety feature. Repeated overtemperature conditions may indicate that maintenance is required.

[0072] The memory 102 may also store the normal operating temperature (or other representation on which a threshold may be based) input, for example, in the manner described for the normal operating current, except possibly using the temperature sensor 104 to sense normal operating temperature.

[0073] An accelerometer or other vibration or motion sensor 106 can be incorporated into the central control module 3 to sense for vibration. Unusual ongoing vibrations can be an indication that the balance of the motor 9 is off, and the motor 9 may be starting to fail. The normal and current conditions can be sensed with the normal condition being stored in memory 102 for future comparison.

[0074] The central control module 3 can be used in association with an autodialer to provide information about the cleaning system to a remote location through telephone lines. Contact could be made as a result of a sensed condition or the passage of time. The central control module 3 could also receive a remote call for diagnostic purposes. Referring to FIG. 13, remote control module 5 incorporates a remote transceiver submodule 110 similar to that of the central transceiver submodule 72, including a remote transceiver 112, remote transceiver subcontrol 114, and antenna 116. The operation of the remote transceiver submodule 110 and central transceiver submodule 72 are similar and will not be repeated. It is to be noted that the functions of the remote transceiver submodule 110 could be replaced by a separate transmitter submodule and/or receiver submodule, not shown.

[0075] In the preferred embodiment, the transceiver submodules 72, 110 of central control module 3 and remote control module 5, respectively, are matched for transmission and reception of signals over a distance of approximately 150 ft. through typical residential obstacles and building materials. The design distance is a matter of choice, governed by applicable legal requirements such as might apply to signal strength and frequency. A digitally modulated radio frequency (r.f.) carrier of 433.92 MHz is suitable as it meets current North American and European requirements for r.f. control systems.

[0076] Alternatively, r.f. transmissions can operate in spread-spectrum mode. This could include frequency hopping spread spectrum or direct-sequence spread spectrum (DSS). These techniques enable operation at higher r.f. power levels than single frequency operation by distributing the power over a number of different frequency channels. In this case, the carrier frequency could be in the 850-950 MHz or 2.4 GHz bands to comply with legal requirements in North America and Europe. In this case, design for a minimum distance of approximately 300 ft. between central control module 3 and remote control module 5 is preferred.

[0077] Other r.f. transmission techniques and frequencies could be used as desired for particular applications.

[0078] A microprocessor can be used as the transceiver subcontrol 114 in the remote control module 5 to provide the digital encoding of r.f. carrier with message data, and to decode messages received from the central control module 3. Other devices such as a microcontroller or discrete components could be used to perform these functions.

[0079] Wireless communication provides a significant advantage. Wired low voltage signals require a step down transformer from line voltage to low voltage, such as a class II safety transformer. In order to meet regulatory requirements a circuit breaker is typically used to limit the output current of the transformer. The circuit breaker uses a bime-

tallic strip to sense an overcurrent condition for the transformer that is approaching a dangerous level. The bimetallic strip is sensitive to ambient temperature and results in nuisance tripping of the circuit breaker when operated in high ambient temperatures. Wireless communication obviates the need for low voltage signals and the class II transformer for that purpose.

[0080] The central control module 3 can be powered using a drop down resistor or capacitor from the power source 9. A non-class II transformer can be used in the event that larger power is required as wireless communication does not require the use of a class II transformer. It may still be desired to use a class II transformer in order to allow a manufacturer to provide an option to communicate via low voltage wires connected between the central control module 3 and the remote control module 5. The selection between wired and wireless communication can be made at the time of manufacture, or the manufacturer can leave this selection up to the installer. If the selection is made by the manufacturer than separate different central control modules and remote control modules can be made for wired and wireless configurations.

[0081] It is to be understood that wireless communication is not required for all of the functions described herein. In fact, for many functions it is not necessary to have communication between the user 11 and the central vacuum source 205, except to turn the motor 9 on and off. The other functions can operate without user intervention; however, this is not the preferred embodiment.

[0082] By using a current sensing resistor or transformer as the current sensor 98 to sense an overcurrent condition, a microprocessor can be used as the operating condition subcontrol 94 to turn off a triac in a power stage, or activate a relay in a power stage, to control current to the motor 9 to shutdown the motor 9. This protects the motor 9. In some cases, a triac can fail in such a way that current would not be shut off to the motor 9. It may be preferable to include a redundant overcurrent protection device for otherwise catastrophic failure, such as a trace on a printed circuit board for the central control module 3 of a size to act as a fuse on the load (motor 9) side, opening in the event of a sustained overcurrent condition and preventing current from flowing to the motor 9. Other redundant overcurrent protection devices could be used.

[0083] Referring to FIG. 14, the various submodules of the central control module 3 can be combined. In combining the submodules, the various subcontrols can also be combined into a single central control subcontrol 160 which can utilize a single microprocessor, microcontroller or combination of discrete components, to perform the functions described herein for each of the submodules. The memory 102 can be part of the microprocessor or microcontroller, or it may itself be a discrete component. Preferably, the central control subcontrol is a microprocessor with integrated memory 102. The entire timer submodule may be part of the microprocessor, or it may be a combination of the microprocessor and a few discrete components to set the proper timing for the timer. Alternatively, the timer may comprise components discrete from the microprocessor.

[0084] The various subcontrols, microprocessor and microcontroller are programmed to perform the functions described herein. The programs are contained in a non-volatile memory, such as memory 102, or an internal memory within the subcontrol, microprocessor or microcontroller.

[0085] Referring to FIG. 15, a central vacuum cleaning system (indicated generally at 201) incorporates a control subsystem 1 in the form of central control module 3 and remote control module 5 as will be further described. The system 201 is installed in a building 203. The building 203 is shown as a residence; however, the system 201 could be installed in other buildings, such as commercial or industrial buildings.

[0086] The system 201 has a vacuum source 205 in a central location. The source 205 is connected through pipes 207 or other conduits in walls, floors or ceilings of the building 203. Alternatively, the pipes 207 may be exposed. The pipes 207 terminate at valves 209 to which a flexible hose 211 may be connected. The hose 211 terminates in a handle 213 that is held by an operator 215. Various cleaning attachments, such as a carpet brush 216, are connected to the handle 213.

[0087] Control signals, such as ON/OFF, from the operator 11 are provided through a switch 218 (or switches 218 or some other interface 13 in the handle 213. More sophisticated systems 201 may utilize the control signals for many other purposes, such as duplex communications that allow the receipt of information at the handle 213. Such information could be used to drive LEDs or other display means 219 (as described previously for the interface 13) for communication with the operator 11. When the operator 11 turns on the system 201, dirt is drawn by a vacuum created by the vacuum source 205 through the attachment 216, handle 213, hose 211, and pipes 207.

[0088] Referring to FIG. 16, the vacuum source 205 has a motor 9 (FIG. 1) within a motor housing 221. Extending from the motor housing 221 is, typically, a receptacle 223 for receiving the dirt. Also within the motor housing 221 is a motor control circuit 225 embodying central control module 3 of FIG. 1. In the preferred embodiment, the motor housing 221 also acts as a motor control housing 221. Accordingly, the motor housing 221 will be referred to as a motor control housing herein, unless the context requires otherwise. It is to be understood that the motor housing and motor control housing could be separate from one another.

[0089] Preferably, the central control module 3 (including its transceiver 74) is placed within the motor control housing 221. Alternatively, the central control module 3 could be distributed with the transceiver 74 portion outside the motor housing 221 to avoid interference and signal attenuation.

[0090] The motor control circuit 225 is typically laid out on a printed circuit board 233, including all of the components to implement the functions of the central control module 3. Multiple printed circuit boards or separately mounted components may be used as desired.

[0091] The motor control circuit 225 can be mounted in many different ways, for example on mounting screws or posts, not shown, inside or outside the motor control housing. It may be preferable to mount the motor control circuit 225 in the cooling air inlet passage or outtake (exhaust) of the motor 9 to provide cooling for the circuit 225. Any power stage of the circuit 225, in particular, may benefit from such cooling.

[0092] Although the preferred embodiment is being described with reference to a motor control circuit 225 for mounting inside a motor housing 221, as mentioned previously, the circuit 225 need not be mounted inside the motor housing 221. For example, the circuit 225 could be mounted within a control box, not shown, outside the housing 221 with wires fed back into the housing 221 for operation of the motor 9. This might be done for additional isolation of the control

circuit 225 from the motor 9. For example, it might be helpful to avoid electromagnetic interference from the motor 9. The control box would be an alternate form of motor control housing 221. As mentioned previously, for this reason, the motor housing 221 is being referred to as a motor control housing 221 in this description, unless the context requires otherwise.

[0093] In the preferred embodiment, the central control module 3 also has means for communication with the operator 11. In the preferred embodiment, display means 75 takes the form of an LED, not shown, within a translucent mounting post 227. The motor control circuit 225 has optional wired and wireless communication paths. Accordingly, the pointing post accepts connections from low voltage wires as described in the U.S. patent application referenced in the Cross-Reference to Related Applications section hereof. As an alternative display example, the LED could extend through the housing 221 for direct viewing.

[0094] LEDs are a preferred choice as LEDs are long lasting, small, inexpensive, and low power devices. Higher power LEDs, LEDs of different colours, multicolour LEDs, and LEDs of different shapes and sizes may all be used. Standard LED packages such as a T-1 or T-1 $\frac{3}{4}$ can be used. These tend to be the least expensive. This allows for LEDs of more than 3000 mcd, for example 3200 mcd and 4500 mcd in green. These are examples only and many other sizes and configurations can be used. For example, a multi-colour LED could be used to provide many possible signalling combinations, such as a red/yellow LED that can provide red solid, red flashing, yellow solid, yellow flashing, orange solid, and orange flashing. Also, single colour LEDs can be chosen from a wide variety of colours, including green, yellow, red, white and blue, among others.

[0095] The messages provided to the user 11 by the LEDs might include, for example, 1) informing the user that electrical power is present and the system 1 has no apparent problems (LED GREEN), 2) air flow is obstructed, check for obstructions, including in the pipes 207, in the flexible hose 211 or the filter medium, or the dust receptacle 223 is full and should be emptied (LED YELLOW), 3) a sensor indicates that service to the system 201 is needed, for example, an overcurrent condition shutdown that may indicate a problem such as bearing failure (LED flashes RED), and 4) a certain amount of time has passed indicating that service to the system 201 is needed, for example: service to the motor is required, i.e. change the brushes (LED flashes YELLOW). These are samples of the types of messages that might be conveyed to the user. Many other messages could be conveyed as desired by designers of motor control circuit 225 using other colours or flashing patterns.

[0096] Referring to FIG. 17, in a manner similar to that described for the central control module 3, the remote control module 5 is mounted in a handle, for example handle 29, typically on a printed circuit board 240. It is to be noted that other handles, such as for example handles 20, 213 could be used. The printed circuit board 240 and other components of the central control module 3 could be fully encapsulated with simply a couple of wires 242 extending for connection to a power source 244. Messages are provided to the user 11 in the manner described previously herein. The messages provided to the user 11 include, for example, those previously described for the central control module 3.

[0097] The remote control module 5 is preferably battery 244 powered; however, it may also be powered from line

voltage where it is available, using a drop down resistor and capacitor. Many vacuum hoses 217 have line voltage as it is used to power hose attachments 216, such as a power carpet brush. The battery 244 could be a rechargeable battery 244. Batteries 244 provide energy for limited durations. This duration for a rechargeable battery 244 is typically far shorter than that for a non-rechargeable battery 244. In order to avoid having to frequently change the battery 244, the battery 244 could be a rechargeable battery 244 that is recharged by using a generator 246 powered from vacuum air (arrows 247) flowing through the handle 29 to produce electrical energy. The generator could be powered by an impeller 249 that extends into vacuum air path 248. The impeller 249 would turn, causing the generator 246 to produce current for recharging the battery 244. The generator 246 would typically produce alternating current that would require an AC/DC converter and/or other battery charging circuitry 250 for charging the battery 244. The voltage may need to be stepped-up in order to provide sufficient voltage for charging the battery 244. Many designs for such converters, including step-up converters, are readily available and could be used for this purpose.

[0098] To avoid damage to the impeller 249 from passing dust particles, a separate impeller air path 252 can be provided for the impeller 249. The impeller air path 252 extends from the vacuum air path 248 through the handle 29 to allow ambient air 254 to be drawn in through the impeller air path 252 to the vacuum air path 248. The motion of the ambient air 254 flowing through impeller air path 252 causes the impeller 249 to turn. The motion of the impeller 249 then powers the generator 246. As an example, the impeller air path 252 could be a one-quarter inch hole. It is desirable to have a wide input power range, for example, 90-260 volts AC for worldwide use. The use of a 16 Amp 400 Volt triac in the central control module 3 will work with most commercially available motors used in residential central vacuum cleaning applications worldwide. If a relay is used to control the motor 9 then a different relay will likely be required for different voltages, amperages and regulatory requirements. The drop down circuits for powering the central control module 3 are preferably adapted to utilize this wide range of voltages as well using well known power conversion techniques. As described previously, for universal use with motors 9 having different, and perhaps unknown specifications, the central control module 3 can sense normal operating conditions and store them in memory. This process can be thought of as a learn mode for the control subsystem 1. During initial operation of the central control module 3, the module can sense the operating conditions of the motor 9. These can be stored in non volatile memory 102 for the microprocessor 160. The stored operating conditions can then be used for a baseline against which the central control module 3 can compare when in use. In addition to motor 9 normal operating current, the stored conditions may include, for example, such conditions as vacuum pressure and ambient temperature. Ambient temperature varies from building to building, and this may affect what is considered to be "overtemperature". Vacuum pressure may be sensed in many different ways, for example, surface mount pressure sensors are becoming widely available.

[0099] Referring to FIG. 18, low voltage electrical components, such as central control module 3, could be similarly powered by a rechargeable battery 260 charged from a generator 262 having an impeller 264 placed in an exhaust air path 266 in central vacuum canister 268. The impeller 264 turns with the motion of air 270 flowing through the central

cleaning system, for example, in the canister 268 from an inlet 272 to an outlet 274 over bag 275. Air flow is generated by suction motor 276. It is desirable, although not necessary, to place the impeller in the exhaust air path 266 as the air is typically filtered of dust particles 277 by a filter 278 after dust separator 280 and prior to motor 276. The filter reduces wear on the motor 276. Similarly, it reduces wear on the impeller 264.

[0100] Referring to FIG. 19, for flexibility, for example in retrofit applications or as optional features, the central control module 3 and ancillary components, including battery 260 and generator 262, could be placed outside the canister 268. The impeller 264 could form part of a pipe insert 282 inserted after outlet 274 in the exhaust air piping 284. The insert 282 allows exhaust air to flow through, while placing the impeller 264 in the exhaust air path 270.

[0101] Optionally, the central control module 3 could connect to existing low voltage connectors 286 on the canister 286 to provide signals to an existing control unit 288 controlling the motor 276. Controlling motor 276 through an existing control unit 288 may limit available features and functions of the central control unit 3. Advantageously, for retrofit applications, the central control unit 3 would not require access to line voltage; however, the central control unit may not have access to the input current of the motor 276, preventing use of features related thereto.

[0102] Low voltage units that do not connect to line voltage would not require certification in most jurisdictions, or such requirements would be less strict.

[0103] It is to be noted that the use of a generator powered by air flowing through a cleaning system is not limited to central vacuum cleaning systems. For example, portable upright or canister vacuum cleaners may benefit from a generator powered by air flow for driving electrical devices within the cleaner. This may include a remote control module and central control module, such as those described herein that communicate between a handle and motor of the cleaner.

[0104] Referring to FIG. 20, a remote station 280 having a display 282, such as an LCD screen with or without touch screen functions, could be placed within a building 290 to receive status information for the cleaning system 201. The remote station 280 could be mounted to a wall or elsewhere within the building 290, or it could be portable. The remote station 280 could communicate wirelessly with the motor control 3 in the same manner as the remote control module 5 in the handle 213. The remote station 280 may allow for two-way communication and, in this way, the remote station 280 can duplicate, replace or augment some or all of the functions of the remote control module 5. The screen of the remote station 280 could be larger than that of the remote control module 5.

[0105] The remote station 280 could also access other automated functions in the building 290. In this way, the need for multiple remote control screens in a building 290 could be reduced. Communication between the remote station 280 and the central control module 3 can be through an intermediary transceiver, such as an x10 control module adapted to wirelessly receive signals from and transmit signals to the central control module 3 and to correspondingly transmit signals to the remote station 280 and receive signals from the remote station 280.

[0106] The transmission to and reception from the remote station 280 by the intermediary transceiver may be wireless or wired. For example, power line communication could be

used, or network cabling. The remote station **280** could be a personal or other computer, or a dedicated device, such as an x10 compatible control panel.

[0107] It will be understood by those skilled in the art that this description is made with reference to the preferred embodiment and that it is possible to make other embodiments employing the principles of the invention which fall within its spirit and scope as defined by the following claims.

- 1. A central vacuum cleaning system comprising: a vacuum source including a motor within a motor housing, a receptacle extending from the motor housing for receiving dirt, a motor control circuit controlling power to the motor, valves to which a flexible hose may be connected, conduits connected to the vacuum source and terminating in the valves, a handle to be held by an operator, the hose terminating at the handle, a cleaning attachment connected to the handle, such that dirt is drawn by a vacuum created by the vacuum source through the attachment, handle, hose, and conduits, display means at a location remote from the vacuum source, input means, and duplex communication means to provide control signals from the input means to the motor control circuit and to receive at the remote location from the motor control circuit a plurality of messages regarding the status of the system, such information to drive the display means for communication with an operator.
- 2. The system of claim 1 wherein the duplex communications means comprises low voltage wires between the display means and the motor control circuit.
- 3. The system of claim 1 wherein the duplex communications means comprises low voltage wires between the input means and the motor control circuit.
- 4. The system of claim 1 wherein the duplex communications means comprises a RF wireless receiver at the remote location and a RF wireless transmitter through which the motor control circuit transmits the messages.
- 5. The system of claim 1 wherein the duplex communications means comprises a RF wireless transmitter through which the input means transmits control signals and a RF wireless receiver through which the motor control circuit receives the control signals.
- 6. The system of claim 1 wherein the input means and the display means are located on the handle, and the duplex communications means comprises an RF wireless receiver and RF wireless transmitter in the handle, and a RF wireless transmitter and RF wireless receiver through which the motor control circuit transmits the messages.
- 7. A central vacuum cleaning system comprising: a vacuum source including a motor within a motor housing, a receptacle extending from the motor housing for receiving dirt, a motor control circuit including a microprocessor and a triac, and the microprocessor controls the triac to control power to the motor, conduits connected to the vacuum source and terminating in the valves,

- a handle to be held by an operator, the hose terminating at the handle, and
- a cleaning attachment connected to the handle, such that dirt is drawn by a vacuum created by the vacuum source through the attachment, handle, hose, and conduits.
- 8. The system of claim 7 further comprising a current sensor, such that the current sensor senses current powering the motor and informs the microprocessor.
- 9. The system of claim 7 wherein the triac is driven by a phase-angle gate drive signal from the microprocessor.
- 10. The system of claim 7 wherein the triac is driven by a pulse width modulation gate drive signal from the microprocessor.
- 11. A central vacuum cleaning system comprising: a vacuum source including a motor within a motor housing, a receptacle extending from the motor housing for receiving dirt, a motor control circuit controlling power to the motor, valves to which a flexible hose may be connected, conduits connected to the vacuum source and terminating in the valves, a handle to be held by an operator, the hose terminating at the handle, a cleaning attachment connected to the handle, such that dirt is drawn by a vacuum created by the vacuum source through the attachment, handle, hose, and conduits, and display means to provide a plurality of different messages to a user regarding the status of the system.
- 12. The system of claim 11 wherein the display means is driven by the motor control circuit to provide messages to a user at the vacuum source.
- 13. The system of claim 11 wherein the display means is located on the handle.
- 14. The system of claim 11 herein the display means is located at a remote station apart from the vacuum source and the handle.
- 15. The system of claim 11 wherein such display means comprises an LCD screen.
- 16. The system of claim 11 wherein such display means comprises a multiple colour light source.
- 17. The system of claim 11 wherein the multiple colour light source comprises multiple single colour LED light sources.
- 18. The system of claim 11 wherein the multiple colour light source comprises a multi-colour LED.
- 19. A hose assembly comprising a flexible hose having a first end and a second end, said first end having a handle assembly with a nozzle, said second end having a connection means removably securing said hose to a vacuum source, said handle assembly having a means for transmitting a radio frequency signal to said vacuum source, said radio frequency signal being capable of activating the vacuum source so that a vacuum is present at an end of said nozzle.
- 20. The hose assembly according to claim 19 wherein said handle assembly signaling said vacuum source to deactivate said vacuum source.
- 21. The hose assembly according to claim 20 wherein said handle assembly has an antenna and an RF wireless transmitter in said handle.

* * * * *